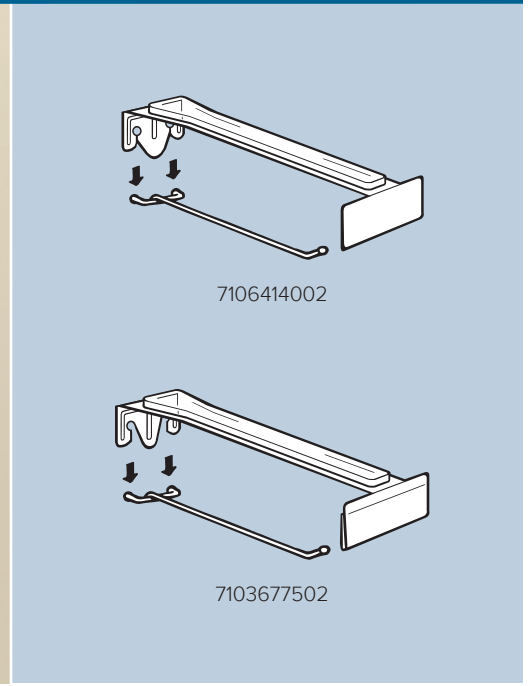


Hook Hiker™ Label Holder



Features and Benefits

- ◆ Display UPC information on most metal pegboard hooks, 1" on center
- ◆ Available in two styles, with scan plate for adhesive labels or with covered-face for non-adhesive labels
- ◆ Integrated label area holds labels up to 1.25" H x 2.125" W
- ◆ Shown with Metal Peg Hook
- ◆ Clear 15 mil PVC

Innovative design clips over the back of metal hooks

Display UPC and pricing information over most metal pegboard hooks with the Hook Hiker™ Label Holder. Innovative design clips over pegboard hook and extends the length of the hook to present UPC and price in front of product.

Available in two styles, for adhesive and non-adhesive labels.

Specifications

Item No.	Ref. No.	Dimensions	Finish	Pack
Adhesive Labels				
7106414001	RFS3-4-2	4"-5" L	Clear	1
7106414002	RFS3-6-2	6"-7" L	Clear	1
7106414003	RFS3-8-2	8"-9" L	Clear	1
7106414004	RFS3-10-2	10"-11" L	Clear	1
4421119712	RFS3-12-2	2" W x 12" L - 2" Label Holder	Clear	1000
Non-adhesive Labels				
7103677501	-	4"-5" L	Clear	1
7103677502	-	6"-7" L	Clear	1
7103677503	-	8"-9" L	Clear	1
7103677504	-	10"-11" L	Clear	1

Additional sizes can be made to order (minimum quantities apply.)

20190214

For more information,
call **800.422.2547**
or visit www.siffron.com

siffron™
always on